



**ANTIMICROBIAL
HANDSINK**

**99% Reduction of
E-coli & Staph!***

Patent Pending



FEATURES:

End User

- Infused with **Silver Ions** to inhibit growth of millions of germs
- Lifetime bacteria protection – not an agent applied to outer surface
- Distinct blue sink & zone clearly defines area from food prep & dishwashing

Retailer

- Gamechanger - truly unique and differentiated - patent pending
- On-trend with need for foodborne illness solutions
- Excellent contractor item - endless installation locations

INSTALL IN:



Restaurants



Hospitality



Schools/
Hospitals



Home/Utility



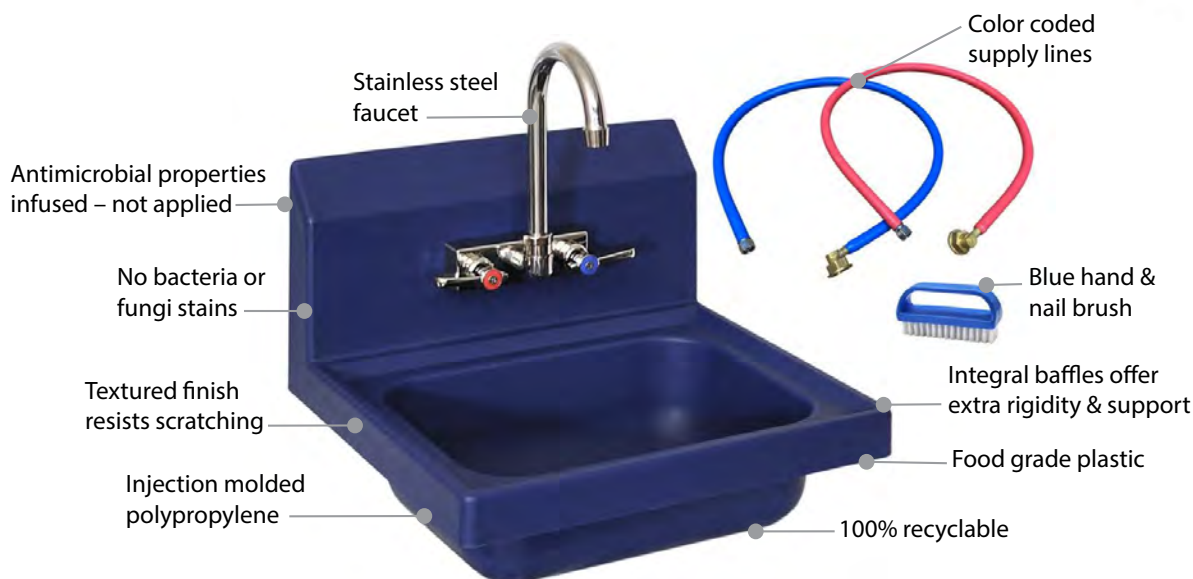
*Independent lab tests – compared to material without antimicrobial agent

Health Facts

- Handwashing is the single most important means of preventing foodborne illness.
- According to the CDC, 60% of foodborne disease outbreaks originate from restaurants.
- It is imperative to create a clearly defined contamination free handwashing zone for food handlers.
- i-on antimicrobial sink proven safe for food and drinking water contact.
- NSF certification as well as EPA & FDA approval.

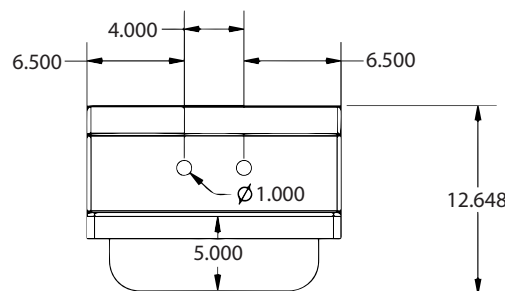
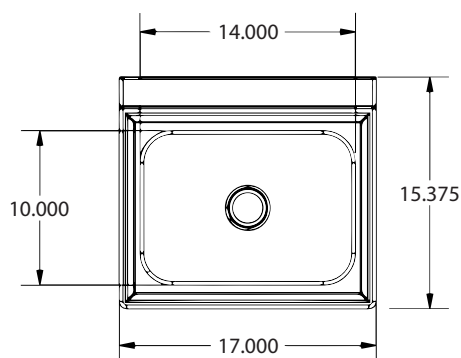
The Full Package

- Heavy duty stainless steel 4" gooseneck faucet
 - Lead free with a 10 year warranty
- NEW color coded supply lines –
 - Easy hot and cold installation
- Blue hand & nail brush
- Conveniently packaged into one full color box
 - Shelf-ready and easy to ship!
- Bowl size: 14" x 10" x 5"
 - Faucet holes: 2 | Drain included



I-ON ANTIMICROBIAL HANDSINK KIT BOX SPECIFICATIONS:

Item Number	Product Description	Case Pack	Product UPC	Box Dimen. (LxWxD)	Box Weight	Box Case Cube	Pallet (HixTi)
APHS - W1410 - WBBE	i-on Kit Box (Sink, Faucet, Drain, Supply Lines, Brush)	1/1	8 40653 13938 8	15.375" x 17" x 4"	10 lbs	1.54 cf	6x8



Maintain proper sanitation protocols in regards to hand and equipment sanitizing at all times.



Antimicrobial Hand Sinks

Hand Sinks



APHS-W1410-BE



APHS-W1410-1BSEF

Features:

- Integral baffles offer extra rigidity and support
- Textured finish resists scratches and abrasions
- 100% Recyclable
- Patent Pending

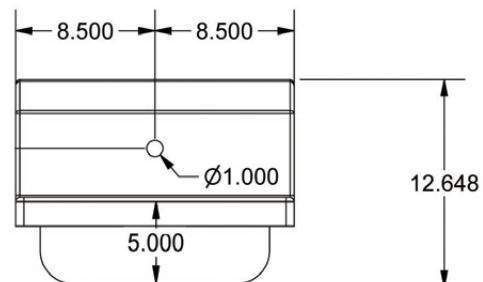
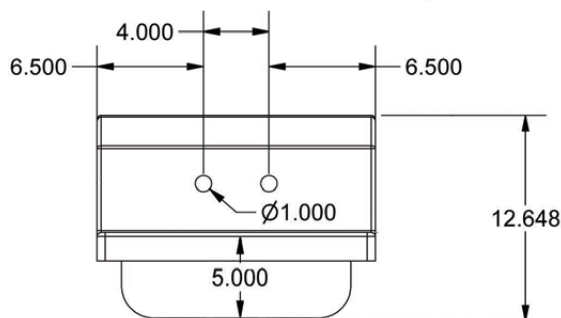
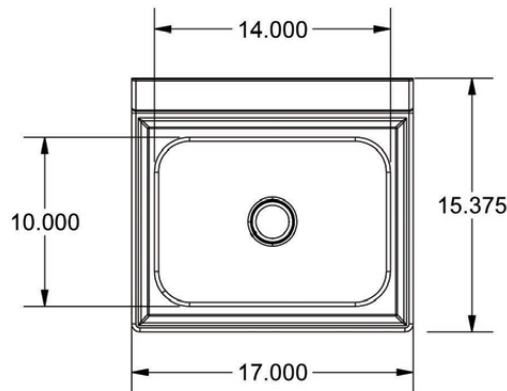
Material:

- Polypropylene
- Infused with an Inorganic Antimicrobial Agent

APHS-W1410-WBBE is our full packaged kit that includes:

- Evolution Stainless Steel 4" Gooseneck Faucet
- Color Coded Waterline Connections
- Full Color P.O.P. Box
- Blue Hand & Nail Brush

MODEL	Included Faucet	Faucet Holes	Bowl Size	UNIT SIZE (l x w)
APHS-W1410-2B	N/A	2	14" x 10" x 5"	15 3/8" x 17"
APHS-W1410-1B	N/A	1	14" x 10" x 5"	15 3/8" x 17"
APHS-W1410-WBBE	EVO-4SM-4G	2	14" x 10" x 5"	15 3/8" x 17"
APHS-W1410-BE	EVO-4SM-4G	2	14" x 10" x 5"	15 3/8" x 17"
APHS-W1410-BPG	BKF-W-3G-G	2	14" x 10" x 5"	15 3/8" x 17"
APHS-W1410-1BSEF	BKF-SEF-3G	1	14" x 10" x 5"	15 3/8" x 17"
APHS-W1410-STBPG	SaniTimer	3	14" x 10" x 5"	15 3/8" x 17"



PRODUCT DATA SHEET

BK RESOURCES

