



RESOURCES

UNDERBAR REFRIGERATION



Use your smart phone to scan the above QR code to visit our website: www.bk-resources.com

Model: Solid Door

BB-2-69

Back Bars

Model: Glass Door

BB-2G-69

BB-2-69 / BB-2G-69



- Heavy Duty Construction**
 Top is made of solid 18 gauge stainless steel for easy cleaning.
 Wear resistant black vinyl exterior. Galvanized interior with SS floor and coved corners.
- Field Interchangeable Doors**
 Solid to Glass and Glass to Solid based on operator's needs
- Dual Pane Thermal Glass (G Models only)**
 Black aluminum frame, merchandise your product with greater visibility
- Enhanced Refrigeration System**
 Factory engineered oversized and balanced refrigeration system. CFC free R-134a refrigerators maintain temperature between 33°F to 38°F, keeping beers ice cold.
- Left Side Mounted Compressor & Front Breathing System**
 allows easy service & unrestricted placement for the unit even in narrow spaces.
- Analog Thermostat**
- Stay Open Doors with Locks & LED Light**
 90° stay open door feature and LED light underneath the mullion
- Adjustable, Coated Wire Shelves**
 Create three levels to fit tall boy beers
- Magnetic Gasket**
 One Piece gasket removable without tools for ease of cleaning and replacement

PRODUCT DATA SHEET

Specifications subject to change without notice

MODEL	DOORS	CAPACITY		AMPS	HP	VOLTAGE	NEMA PLUG	CORD LENGTH	CABINET DIMENSIONS			SHIPPING	
		12 Oz Can	Shelves						L	W*	H	WT.	CUBES
Solid Door													
BB-2-69	2	1,014	4	6.6	1/3	115/60/1	5-15P	8'	69 1/2"	28"	37"	370	59
Glass Door													
BB-2G-69	2	1,014	4	6.6	1/3	115/60/1	5-15P	8'	69 1/2"	28"	37"	370	59



ISO 14001

ISO 9001

* Does not include 1" bumper and cap catcher

Conforms to UL and NSF-7 standards

Phone: 888-310-4393

Fax: 888-310-4394

Website: www.bk-resources.com

Email: sales@bk-resources.com

RESOURCES





RESOURCES

UNDERBAR REFRIGERATION

Model:

BB-2-69

Back Bars Solid & Glass Doors

Model: Glass Door

BB-2G-69

Construction

- 18 gauge stainless steel top and stylish black vinyl finish front, sides and back. Interior built of galvanized steel walls with coved corner stainless steel floor.
- Interior LED light.
- The entire cabinet has a 1-1/2" CFC-free, polyurethane insulation foamed-in-place.

Refrigeration System

- Oversized and balanced refrigeration system.
- Self-contained capillary tube system using environmentally friendly and CFC-free refrigerant. R-134a holding temperature at 33°F to 38°F.
- Front breathing/side mount compressor for ease of service and placement in narrow spaces. Condensing unit is behind the front grill, slides out for easy cleaning and maintenance.
- Forced air cooling system for faster cooling and constant temperature in the cabinet.

- Large fan motor and fan blades for better air circulation.
- Self contained system, no plumbing necessary.
- Analog thermostat.

Doors & Shelves

- Field interchangeable doors from Solid to Glass and Glass to Solid.
- 90° stay open feature
- Light and locks come standard
- One piece magnetic gasket for easy cleaning
- Dual pane glass doors in "G" models with black aluminum frame.
- Adjustable, coated wire shelves, two per door, standard

Electrical

- Each unit is completely pre-wired at factory with cord and plug set included and ready for final connection to a 11/60/1 phase.
- 220V/50hz/1ph available



Warranty

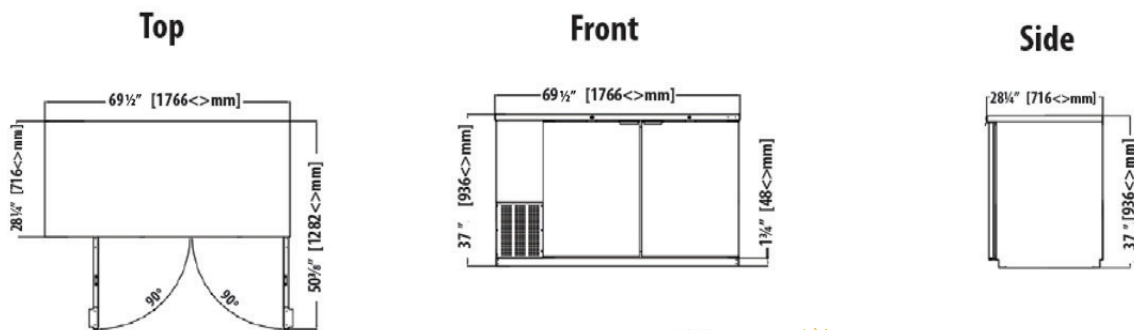
Continental USA & Canada

- Two year labor and parts
- Five year compressor
- International: one year parts only

Options & Accessories

- Additional flat or bottle rail shelves
- 3" Casters
- 220v-50Hz-1Phase

Plan View



ISO 1400

ISO 9001

Conforms to UL and NSF-7 standards