

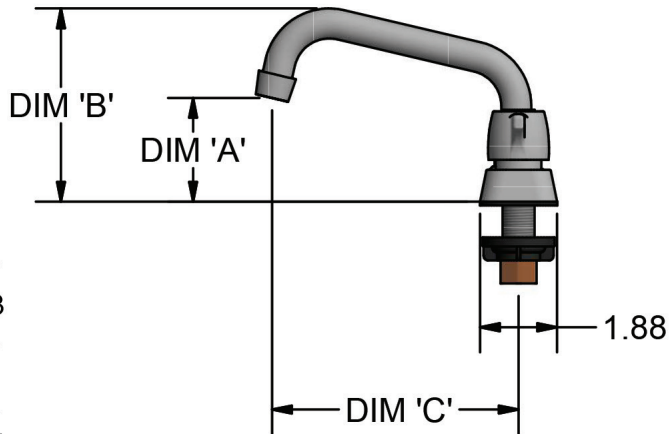
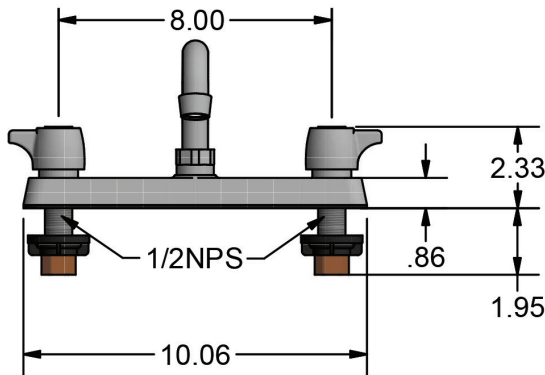
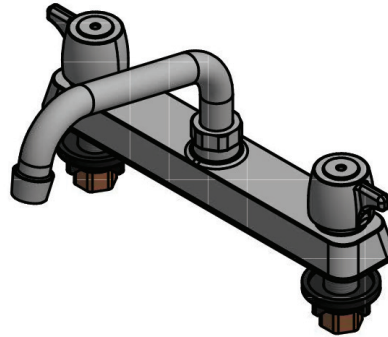


Use your smart phone to scan the above QR code to visit our website: www.bk-resources.com

8" Deck Mount Standard Duty Faucet with Swing Spout

Model: BK8D-G, Lead Free

Model: BK8D-GECO, Lead Free, (California Energy Compliant)



Options:



BKF-C414-VR
Vandal Resistant Aerator - .5 GPM

Product Specifications:

Standard Models:

- 1/4 Turn Ceramic Cartridges
- Color Coded Hot & Cold Indicators
- Double O-Ring Spout Seal
- High Polished Nickel Chrome Finish
- Lead Free Compliant
- Full Replacement Parts Available
- 2 GPM Flow Rate for standard model

-GECO MODELS:

- Same as standard model but are California Energy Compliant
- 1.75 GPM Flow Rate

Product Detail:

Model Number	DIM. A	DIM. B	DIM. C
BK8D-6-G	1.88" [47.6]	4.16" [105.6]	6" [152.4]
BK8D-8-G	2.31" [58.7]	4.56" [115.8]	8" [203.2]
BK8D-10-G	2.69" [68.3]	4.88" [123.8]	10" [254]
BK8D-12-G	3.09" [78.6]	5.31" [134.9]	12" [304.8]
BK8D-14-G	3.5" [88.9]	5.75" [146]	14" [355.6]
BK8D-16-G	3.88" [98.4]	6.09" [154.8]	16" [406.4]

Certifications:



CALIFORNIA ENERGY COMMISSION (CEC)

-GECO Models Only

PRODUCT SPECIFICATION SHEET

RESOURCES

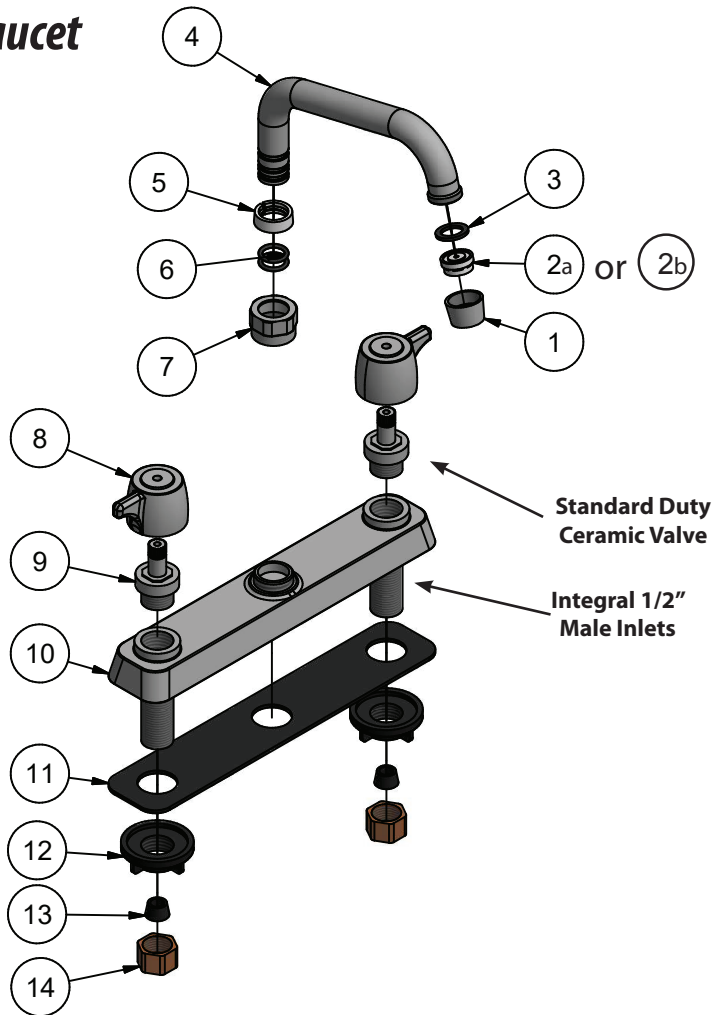




8" Deck Mount Standard Duty Faucet with Swing Spout

Model: BK8D-G, Lead Free

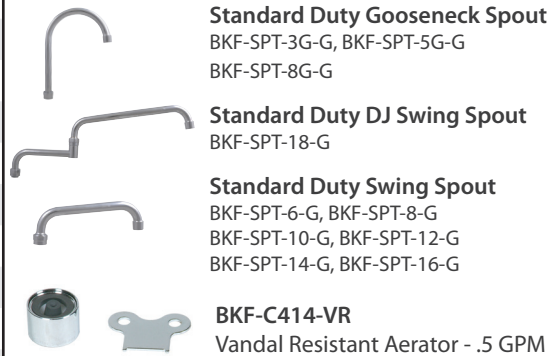
Model: BK8D-GECO, Lead Free, (California Energy Compliant)



Exploded Parts Detail:

Diagram #	Quantity	Part Number	Description
1	1	BKF-SPT-NOZZLE	Nozzle
2a	1	BKF-SPT-AER	Aerator
2b	1	AER175	-GECO Aerator
3	1	BKF-SPT-AER-W	Washer
4	1	BKF-SPT-XX (see product detail on pg 1)	Spout
5	1	BKF-SPT-SPACER	Spacer
6	2	BKF-SPT-ORING	Double O-Ring
7	1	BKF-SPF-NUT	Spout Nut
8	2	BKF-DBH	Handle
9	2	(1) BKF-W-CV-G & (1) BKF-W-HV-G	Cartridge
10	1	BKD-XX-G	Faucet Body
11	1	BKD-BASE	Base
12	2	BKD-MN	Mounting Nut
13	2	BK8D-CFS	Compression Fitting Seal
14	2	BK8D-CF	1/2" Compression Fitting

Optional Spouts & Parts:



PRODUCT SPECIFICATION SHEET

RESOURCES

