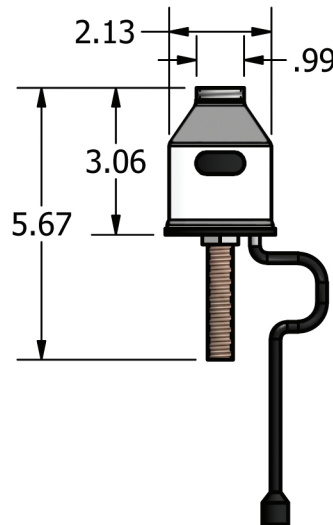
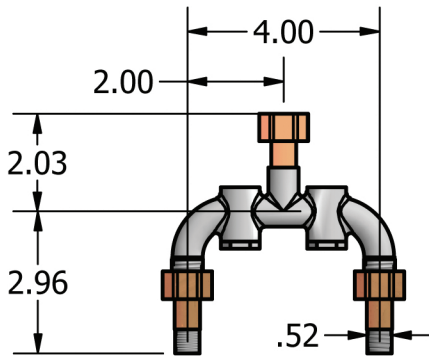
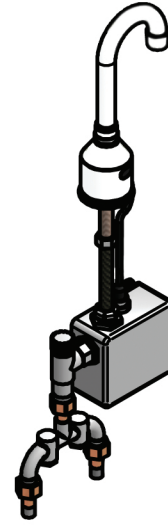
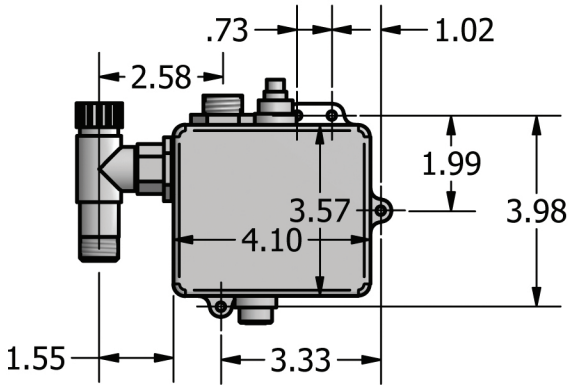




Use your smart phone to scan the above QR code to visit our website: www.bk-resources.com

Deck Mount Sensor Faucet

Model: BKF-DEF-3G



Options:



BKF-C414-VR
Vandal Resistant Aerator - .5 GPM

Product Specifications:

- 3-1/2" Gooseneck Spout
- Hands Free Use
- Battery or Plug-in Option

PRODUCT SPECIFICATION SHEET

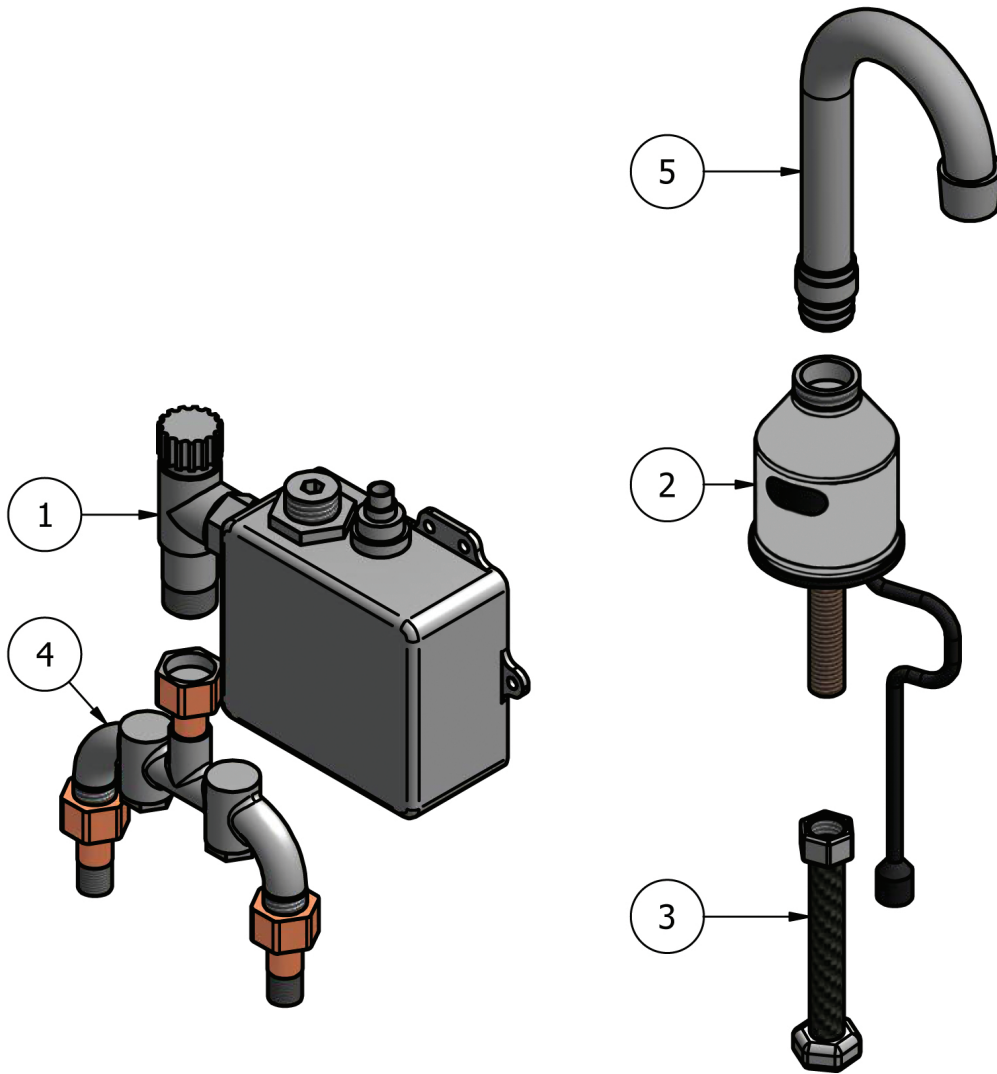
RESOURCES





Deck Mount Sensor Faucet

Model: BKF-DEF-3G



Exploded Parts Detail:

Diagram #	Quantity	Part Number	Description
1	1	SEF-XX3022	Control Box
2	1	BKF-DEF-3G	Faucet Body
3	1	SEF-XX-3010	Water Line
4	1	SEF-2X5034	Valve
5	1	BKF-SPT-3G-G	Spout

