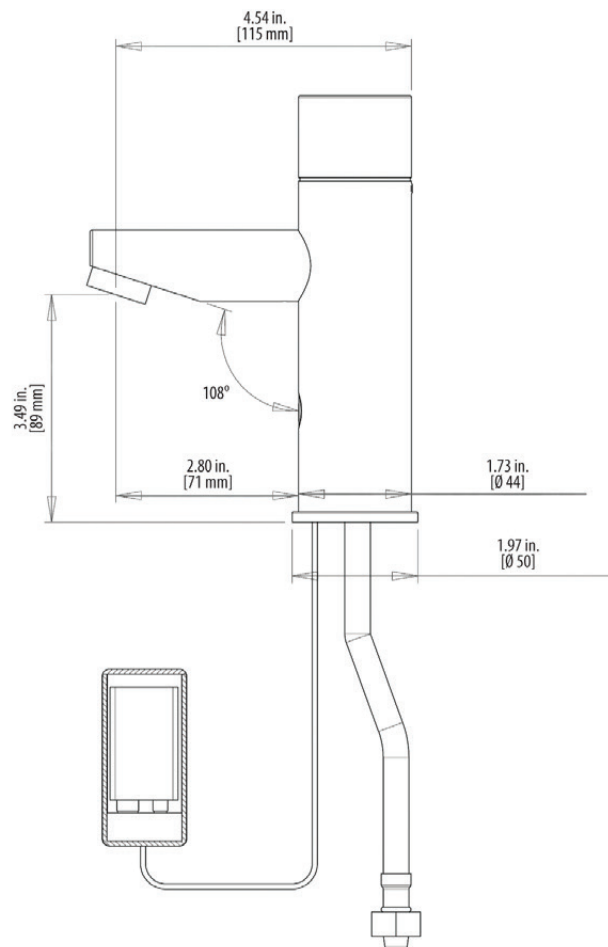
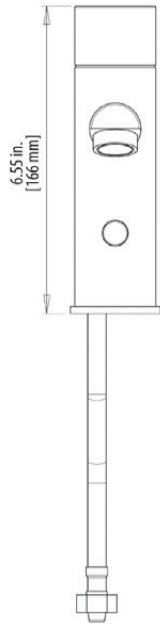




Use your smart phone to scan the above QR code to visit our website: www.bk-resources.com

Kai Faucet

Model: BKF-KAI-G, Lead Free



Product Specifications:

- Single Hole Polished Chrome Plated Touch-Free Faucet for Cold or Premixed Water
- Lead Free Product
- 0.5 GPM (1.9 L/min) Vandal Resistant Aerator
- Preset Sensor Range: 7 3/32" Adjustable
- Minimum Sensor Range: 3 5/32"
- Maximum Sensor Range: 11 13/16"
- Available with a 9V Battery or a 9V Transformer
- Operating Pressure: 7-100 PSI
- Max Operating Temperature: 158° F
- Security Time: The Faucet will Shut Down Automatically After 90 Seconds
- Adjustable Sensor Settings by Remote Control

Maintenance:

DO NOT use steel wool or cleansing agents containing alcohol, acid, abrasives or the like. Use of any prohibited cleaning or maintenance products or substances could damage surface of the faucet. For surface cleaning of faucet use ONLY soap and water, then wipe dry with clean cloth or towel. When cleaning bathroom tile, the faucets should be protected from any splattering of harsh cleansers.

Certifications:



ADA Compliant



PRODUCT SPECIFICATION SHEET

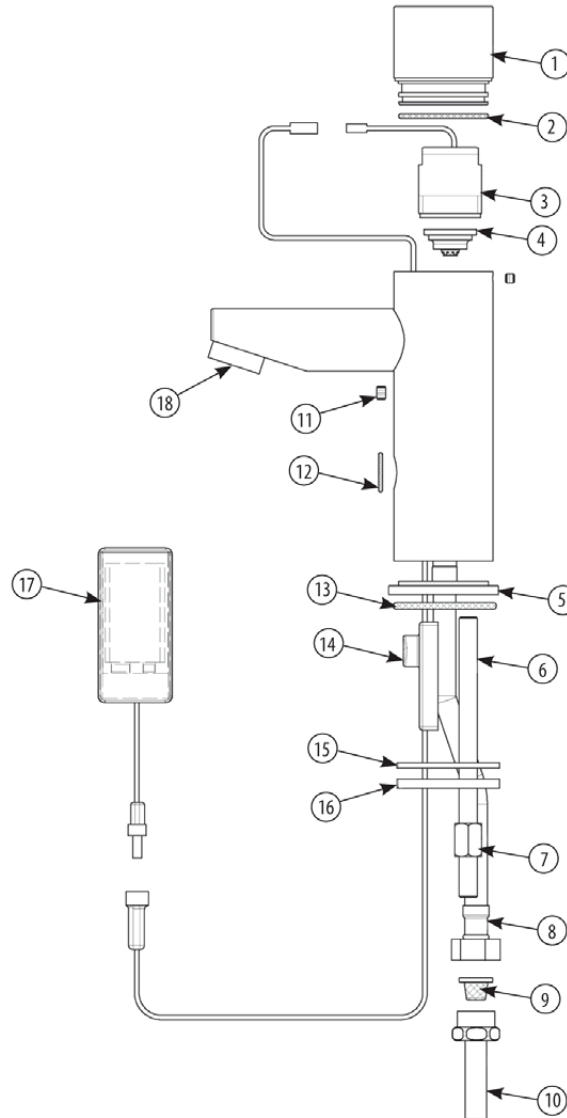
RESOURCES





Kai Faucet

Model: BKF-KAI-G, Lead Free



Exploded Parts Detail:

Diagram #	Quantity	Part Number	Description	Diagram #	Quantity	Part Number	Description
1	1	KAI-CAP	Cap	10	1	KAI-N	Nipple
2	1	KAI-CO	Cap O-Ring	11	1	KAI-SS	Set Screw
3	1	KAI-SU	Solenoid Valve	12	1	KAI-SC	Sensor Cover
4	1	KAI-D	Diaphragm	13	1	KAI-BO	Base O-Ring
5	1	KAI-BASE	Base	14	1	KAI-IRS	Infra Red Sensor
6	1	KAI-MB	Mounting Bolt	15	1	KAI-BM-W	Base Mount Washer
7	1	KAI-MN	Mounting Nut	16	1	KAI-BM	Base Mount
8	1	KAI-WL	Water Line	17	1	KAI-9V	Battery Box
9	1	KAI-F	Filter	18	1	KAI-AER	Aerator

PRODUCT SPECIFICATION SHEET

RESOURCES

