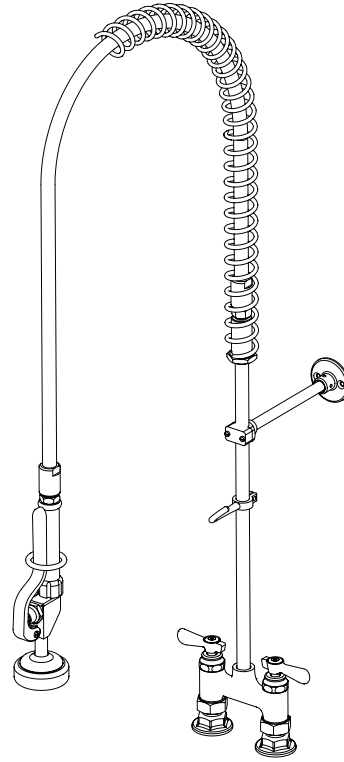
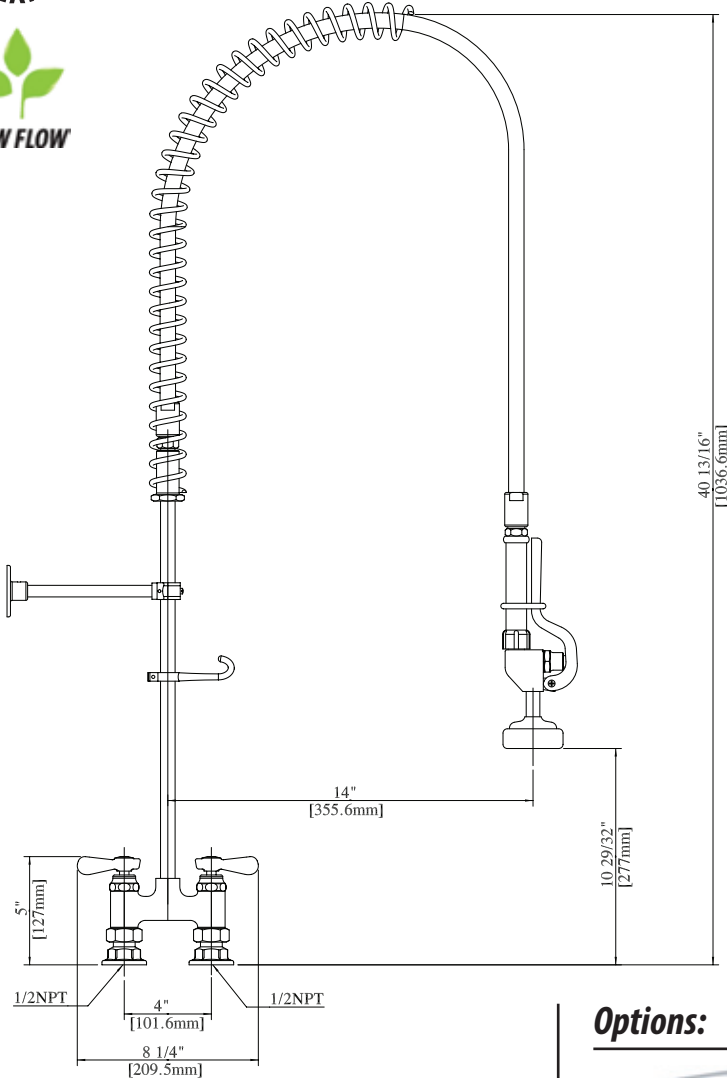




Use your smart phone to scan the above QR code to visit our website: www.bk-resources.com

Low Flow 4" Deck Mount Pre-Rinse

Model: BKF-LF-4HDDPR-WB-G, Lead Free



Product Specifications:

- BK-PRV-1-G 1.0 GPM Pre-Rinse Spray Head
- 12" Wall Bracket
- 1/4 Turn Ceramic Cartridges
- Integral Check Valves
- Color Coded Hot & Cold Indicators
- 1/2" Female Inlets

Options:



BKF-AF Add A Faucet
BKF-AF-8-G, BKF-AF-10-G,
BKF-AF-12-G, BKF-AF-14-G

Certifications:



PRODUCT SPECIFICATION SHEET

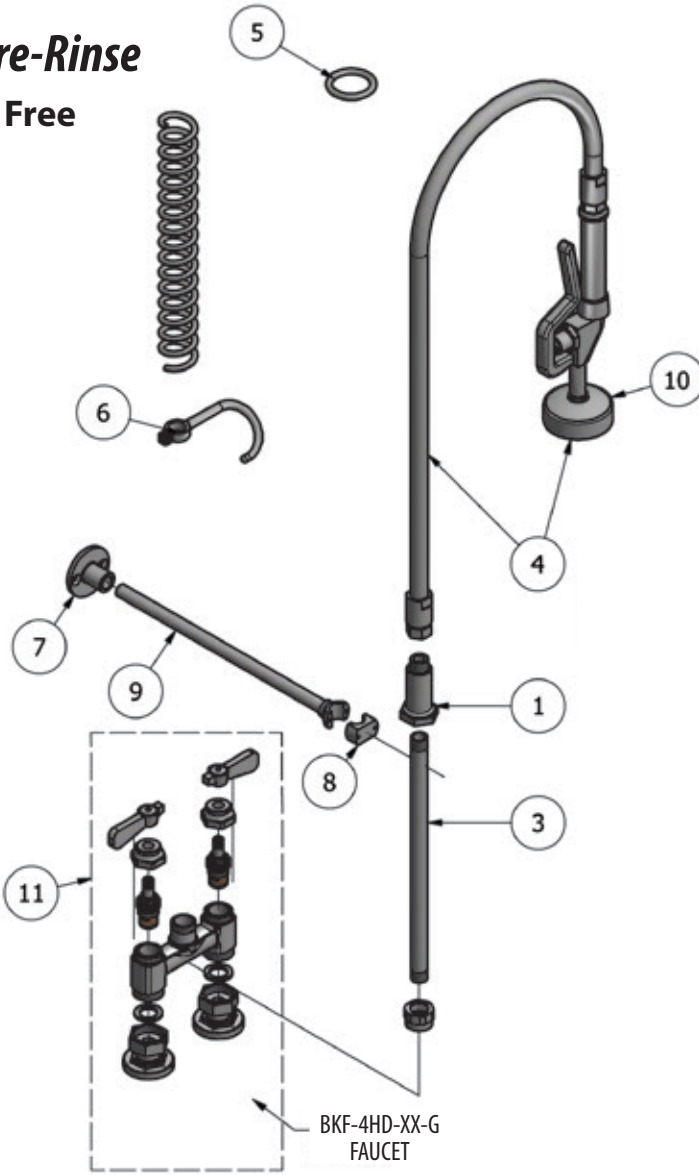
RESOURCES





Low Flow 4" Deck Mount Pre-Rinse

Model: BKF-LF-4HDDPR-WB-G, Lead Free



Exploded Parts Detail:

Diagram #	Quantity	Part Number	Description
1	1	BK-PR-SPR	Hose Retainer
2	1	BK-PR-SPRING	Hose Spring
3	1	BK-PR-18RP-G	Riser Bar
4	1	BKH-44	Spray Hose
5	1	BK-PR-SHR	Spray Valve Handle Retainer
6	1	BK-PR-SHR	Spray Valve Retainer
7	1	BK-PR-WB	Wall Bracket Base
8	1	BK-PR-WB	Wall Bracket Clamp
9	1	BK-PR-WB	Wall Bracket Rod
10	1	BK-PRV-1-G	1.0 GPM Spray Head
11	1	BKF-4HD-XX-G	Faucet Body

Options:



BKF-AF Add A Faucet
BKF-AF-8-G, BKF-AF-10-G,
BKF-AF-12-G, BKF-AF-14-G

PRODUCT SPECIFICATION SHEET

RESOURCES

