



Three Compartment Corner Dish Table

Dish Tables



Use your smart phone to scan the above QR code to visit our website:
www.bk-resources.com

Certifications:



BKSDT-CO3-2012-20RS

Features:

- 20" x 20" x 12" Bowls
- 1 5/8" Rolled Edge
- Accepts 8" O.C. Splash Mount Faucets
- (3) BKDR-4 Basket Drains Included
- (2) BK-SDTS Tray Guides Included
- (1) BK-PRB-5 Pre-Rinse Basket Included
- (2) Sets of Faucet Holes
- 10" Backsplash

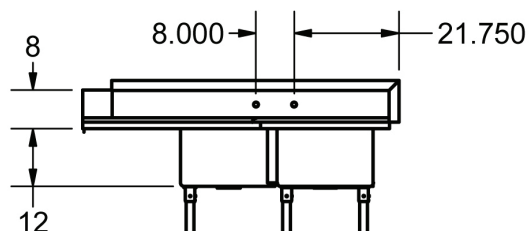
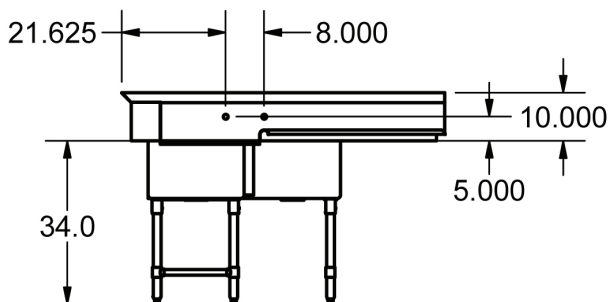
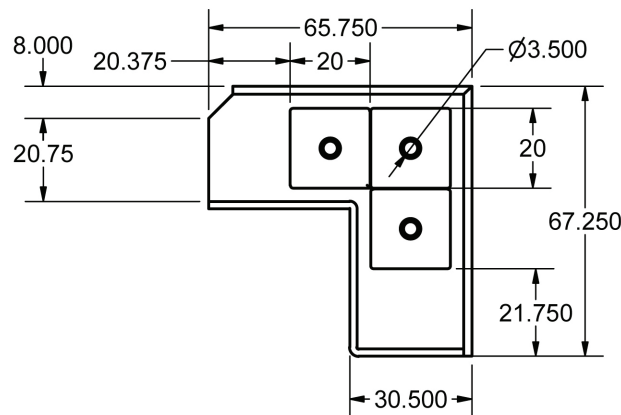
Material:

- T-304 18 ga. Stainless Steel Top
- Stainless Steel Legs & Bracing

Options:

- Pre-Rinse Units & Faucets
- Lever Drains
- Upgraded Bullet Feet
- Pre-Rinse Basket
- Rack Slide

Part Number	Attachment
BKSDT-CO3-2012-LS	Attaches to left side of dish machine
BKSDT-CO3-2012-RS	Attaches to right side of dish machine



PRODUCT DATA SHEET

BK RESOURCES

