



# Three Compartment Dish Table with S/S Legs & End Bracing - Left Side

## Dish Tables



Use your smart phone to scan the above QR code to visit our website:  
[www.bk-resources.com](http://www.bk-resources.com)

### Certifications:



### Features:

- 20" x 20" x 12" (d) Bowls
- 1 5/8" Rolled Edge
- (3) BKDR-4 Basket Drains Included
- (2) BK-SDTS Tray Guide
- (1) BK-PRB-5 Pre-Rinse Basket

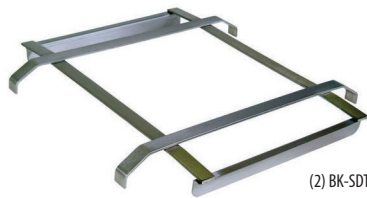
### Material:

- T-304 18 ga. Stainless Steel Top & Bowl
- Stainless Steel Legs & Bracing
- Adjustable S/S Over Plastic Bullet Feet

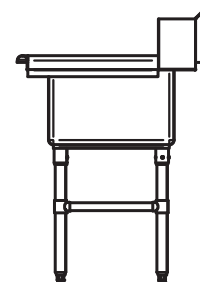
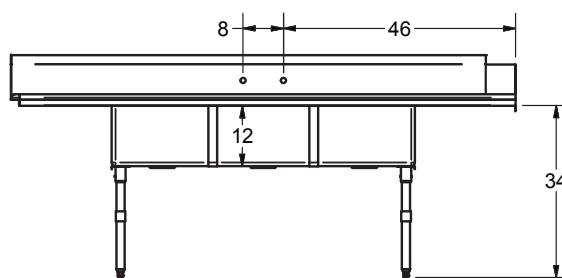
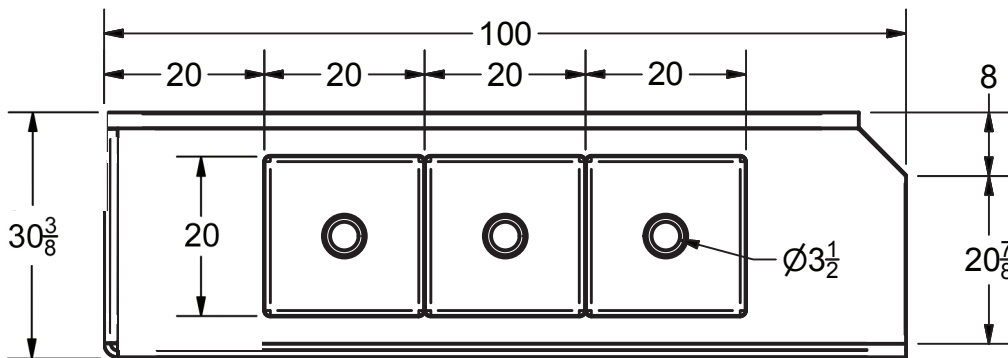


### Options:

- Left Side or Right Side Units Available
- Lever Drain
- Faucet & Pre-Rinse Sold Separately



Part Number	Overall Dim. (l x w x h)
BK-SDT-3-20-12-20LS	100" x 30 1/2" x 44"



PRODUCT DATA SHEET

BK RESOURCES

