



# Underbar Sinks

## Stainless Steel Underbar Sinks



Use your smart phone to scan the above QR code to visit our website:  
www.bk-resources.com

### Certifications:



### Features:

- Integrally Welded Bowls 10"(l) x 14"(w) x 10"(d)
- Stamped and Pitched Drainboards
- Standard 21" Depth
- Includes: BKD-10-G Faucet, BKDR-2 Basket Drains, BK-OT-15075 7" Overflow Tubes
- Adjustable End Bracing

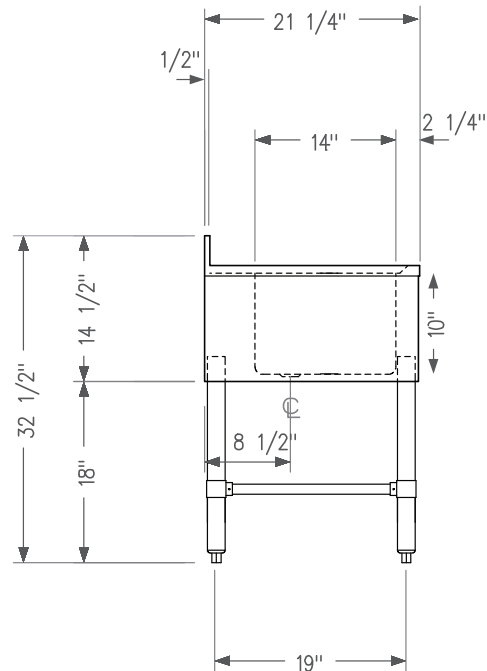
### Material:

- T-304 18 ga. Stainless Steel
- Galvanized Legs
- Adjustable High Impact Corrosion Resistant Feet

### Options:

- Upgrade to S/S Legs & Bracing
- Upgraded Bullet Feet

Length	Part Number	# of Bowls	Sets of Faucet Holes	Drainboard Size
24"	BKUBS-224	2	1	N/A
36"	BKUBS-236L	2	1	(1) L - 12 <sup>3/4</sup> "
	BKUBS-236R	2	1	(1) R - 12 <sup>3/4</sup> "
	BKUBS-336	3	1	N/A
48"	BKUBS-248L	2	1	(1) L - 24"
	BKUBS-248R	2	1	(1) R - 24"
	BKUBS-248T	2	1	(2) - 13 <sup>3/16</sup> "
	BKUBS-348L	3	1	(1) L - 13 <sup>5/8</sup> "
	BKUBS-348R	3	1	(1) R - 13 <sup>5/8</sup> "
60"	BKUBS-448	4	2	N/A
	BKUBS-360L	3	1	(1) L - 24 <sup>1/8</sup> "
	BKUBS-360R	3	1	(1) R - 24 <sup>1/8</sup> "
72"	BKUBS-360T	3	1	(2) - 13 <sup>1/2</sup> "
	BKUBS-372T	3	1	(2) - 19"
84"	BKUBS-472T	4	2	(2) - 13 <sup>3/4</sup> "
	BKUBS-384T	3	1	(2) - 25"
96"	BKUBS-484T	4	2	(2) - 13 <sup>3/4</sup> "
	BKUBS-396T	3	1	(2) - 31"
	BKUBS-496T	4	2	(2) - 25"



PRODUCT DATA SHEET

BK RESOURCES

