



Underbar Sink - Slim-Line

Stainless Steel Underbar Sinks



Use your smart phone to scan the above QR code to visit our website:
www.bk-resources.com

Certifications:



Features:

- Integrally Welded Bowls 10"(l) x 14"(w) x 10"(d)
- Stamped and Pitched Drainboards
- Standard 18" Depth
- Includes: BKF-W2-10-G Faucet, BKDR-2 Basket Drains, BK-OT-15075 7" Overflow Tubes
- Adjustable End Bracing

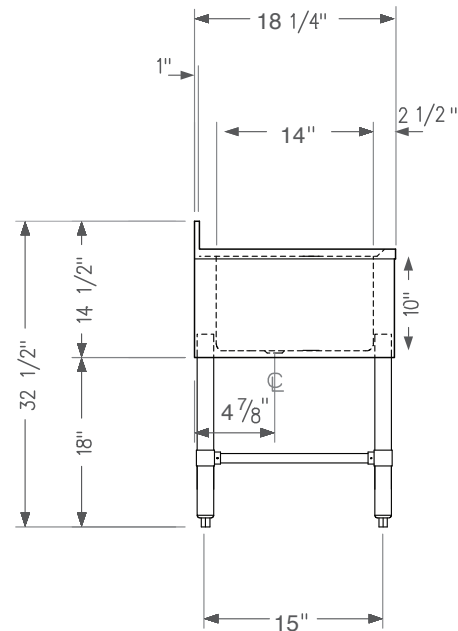
Material:

- T-304 18 ga. Stainless Steel
- Galvanized Legs
- Adjustable High Impact Corrosion Resistant Feet

Options:

- Upgrade to S/S Legs & Bracing
- Upgraded Bullet Feet

| Length | Part Number | # of Bowls | Sets of Faucet Holes | Drainboard Size |
|--------|-------------|------------|----------------------|--|
| 24" | BKUBW-224 | 2 | 1 | N/A |
| 36" | BKUBW-236L | 2 | 1 | (1) L - 12 ³ / ₄ " |
| | BKUBW-236R | 2 | 1 | (1) R - 12 ³ / ₄ " |
| | BKUBW-336 | 3 | 1 | N/A |
| 48" | BKUBW-248L | 2 | 1 | (1) L - 24" |
| | BKUBW-248R | 2 | 1 | (1) R - 24" |
| | BKUBW-248T | 2 | 1 | (2) - 13 ³ / ₁₆ " |
| | BKUBW-348L | 3 | 1 | (1) L - 13 ⁵ / ₈ " |
| | BKUBW-348R | 3 | 1 | (1) R - 13 ⁵ / ₈ " |
| 60" | BKUBW-448 | 4 | 2 | N/A |
| | BKUBW-360L | 3 | 1 | (1) L - 24 ¹ / ₈ " |
| | BKUBW-360R | 3 | 1 | (1) R - 24 ¹ / ₈ " |
| 72" | BKUBW-360T | 3 | 1 | (2) - 13 ¹ / ₂ " |
| | BKUBW-372T | 3 | 1 | (2) - 19" |
| 84" | BKUBW-472T | 4 | 2 | (2) - 13 ³ / ₄ " |
| | BKUBW-484T | 4 | 2 | (2) - 31" |
| 96" | BKUBW-384T | 3 | 1 | (2) - 13 ³ / ₄ " |
| | BKUBW-396T | 3 | 1 | (2) - 25" |
| | BKUBW-496T | 4 | 2 | (2) - 25" |



PRODUCT DATA SHEET

BK RESOURCES

