

Specification

EG4001-15

Electric Griddle



- ◆ Direct desired temperature setting (DDTS).
- ◆ Even surface temperature, no hot or cold spots on cooking surface.
- ◆ Digital control/temperature display.
- ◆ Edge-to-edge cooking capability.
- ◆ Space saving design.
- ◆ Green energy & high efficiency
- ◆ Easy to clean.
- ◆ 304 Stainless steel cooking surface.
- ◆ Even heat up to 400 °F.



Note: Dimensions and Specification are subject to change without notice.

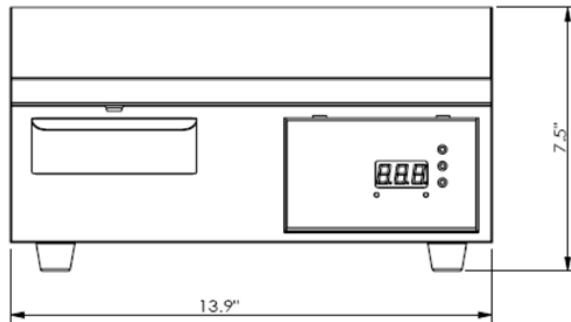
This light weight, energy efficient, stainless steel cooking surface electric griddle features even temperatures on every point of the cooking surface. Accurate digital controls and LED temperature read out. Takes only 8 minutes to get to maximum temperature of 400 °F. Estimated cost per day to run the EG4001-15 is only \$0.54 per day at 10 hours of daily working time.

Dimensions and Specifications

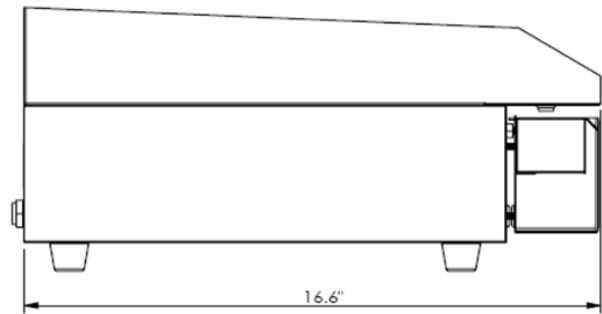
EG4001-15



Front View



Side View



Options None

Electrical 120 Volts, 60 Hz

Power 900 Watts

Net Weight 20 lbs.

Gross shipping weight 21 lbs.

Class 85

Dimensions 14" W x 17" D x 7.5" H

Package 16.2" W x 18" D x 8.7" H

Warranty 1 Year Manufactures limited Warranty