

Specification

PW5002-3

Warmer Merchandiser



- ◆ Easy to clean.
- ◆ Aluminum cabinet.
- ◆ Tempered glass side and door panels.
- ◆ Designed for holding precooked specialty foods.
- ◆ Two clear glass doors front or rear counter applications.
- ◆ Adjustable chrome-plated racks can be placed flat or sloped.
- ◆ Adjustable thermostat, 450-watt element, Temperature up to 160°F.

Note: Dimensions and Specification are subject to change without notice.



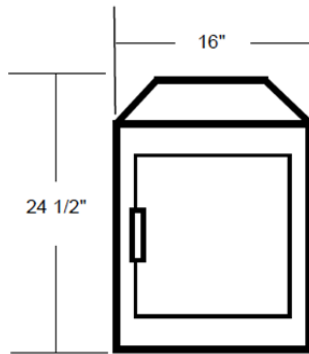
Cozoc 2-Door warmer merchandiser is designed for counter applications. The operator side has controls and a door for easy loading. The consumer side has a door for self-serve. Features an adjustable thermostat with a circulating fan, three adjustable chrome-plated racks can that be placed flat or sloped and are removable for easy cleaning. Stainless Steel and Aluminum construction provides durability and ease of cleaning.

Dimensions and Specifications

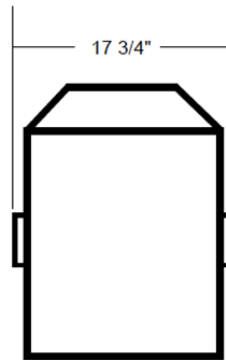
PW5002-3



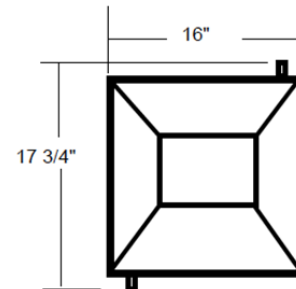
Front View



Side View



Top View



Options None

Electrical 120 Volts, 60 Hz

Power 450 Watts

Net Weight 39 lbs.

Gross shipping weight 42 lbs.

Class 85

Dimensions 16" W x 17.75" D x 24.5" H

Package 17.75" W x 19.75" D x 25" H

Warranty 1 Year Manufactures limited Warranty