



RESOURCES

2 Compartment - 10" x 14" x 10" Drop In Sink

Drop In Sinks

Certifications:



Use your smart phone to scan the above QR code to visit our website: www.bk-resources.com



Shown as BK-DIS-1014-2

Features:

- Includes BKDR-4 Drains
- Faucet Holes 4" O.C.

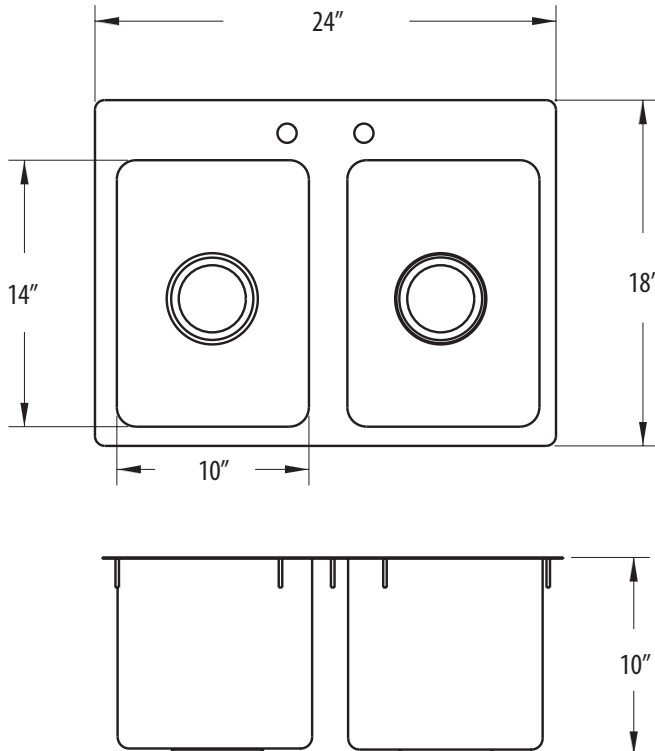
Options:

- "-P-G" Includes BKD-5G-G Lead-Free Faucet
- Upgrade to Heavy Duty Faucets
- Wrist Blades

Material:

- T-304 18 ga. Stainless Steel Bowls
- T-304 14 ga. Stainless Steel Deck

Part Number	Unit Size (l x w x d)	Bowl Size (l x w x d)	Included Faucet	Recommended Cutout Size (l x w)
BK-DIS-1014-2	24" x 18" x 10"	10" x 14" x 10"	-	17 1/16" x 23"
BK-DIS-1014-2-P-G	24" x 18" x 10"	10" x 14" x 10"	BKD-5G-G	17 1/16" x 23"



PRODUCT DATA SHEET

BK RESOURCES

