



3 Compartment - 10" x 14" x 10" Drop In Sink

Drop In Sinks



Use your smart phone to scan the above QR code to visit our website: www.bk-resources.com

Certifications:



Shown as BK-DIS-1014-3

Features:

- Includes BKDR-4 Drains
- Faucet Holes 4" O.C.

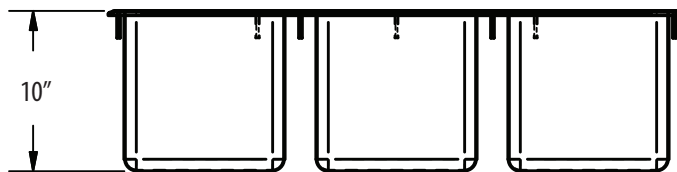
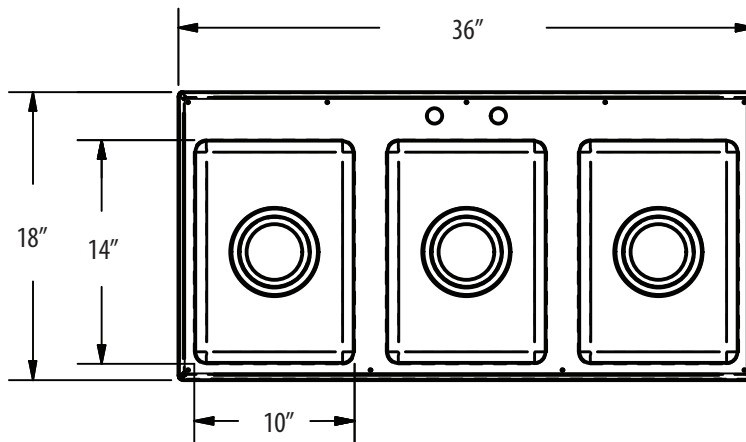
Material:

- T-304 18 ga. Stainless Steel Bowl
- T-304 14 ga. Stainless Steel Deck

Options:

- Upgrade to Heavy Duty
- Wrist Blades
- "-P-G" Includes BKD-8G-G Lead-Free Faucet

Part Number	Unit Size (l x w x d)	Bowl Size (l x w x d)	Included Faucet	Recommended Cutout Size (l x w)
BK-DIS-1014-3	36" x 18" x 10"	10" x 14" x 10"	-	17 1/8" x 35 1/8"
BK-DIS-1014-3-P-G	36" x 18" x 10"	10" x 14" x 10"	BKD-8G-G	17 1/8" x 35 1/8"



PRODUCT DATA SHEET

BK RESOURCES

