



Cabinet Base Work Tables

**Stainless Steel Cabinet Base Tables
With 5" Riser**

Certifications:



Features:

- 1 5/8" x 6" Straight S/S Leg
- Legs Adjust 1" in Height
- 5" Riser
- Extra Supporting "C" Channel for top & bottom shelf consists of 2 Channels running left to right and 1 channel running front to back

Material:

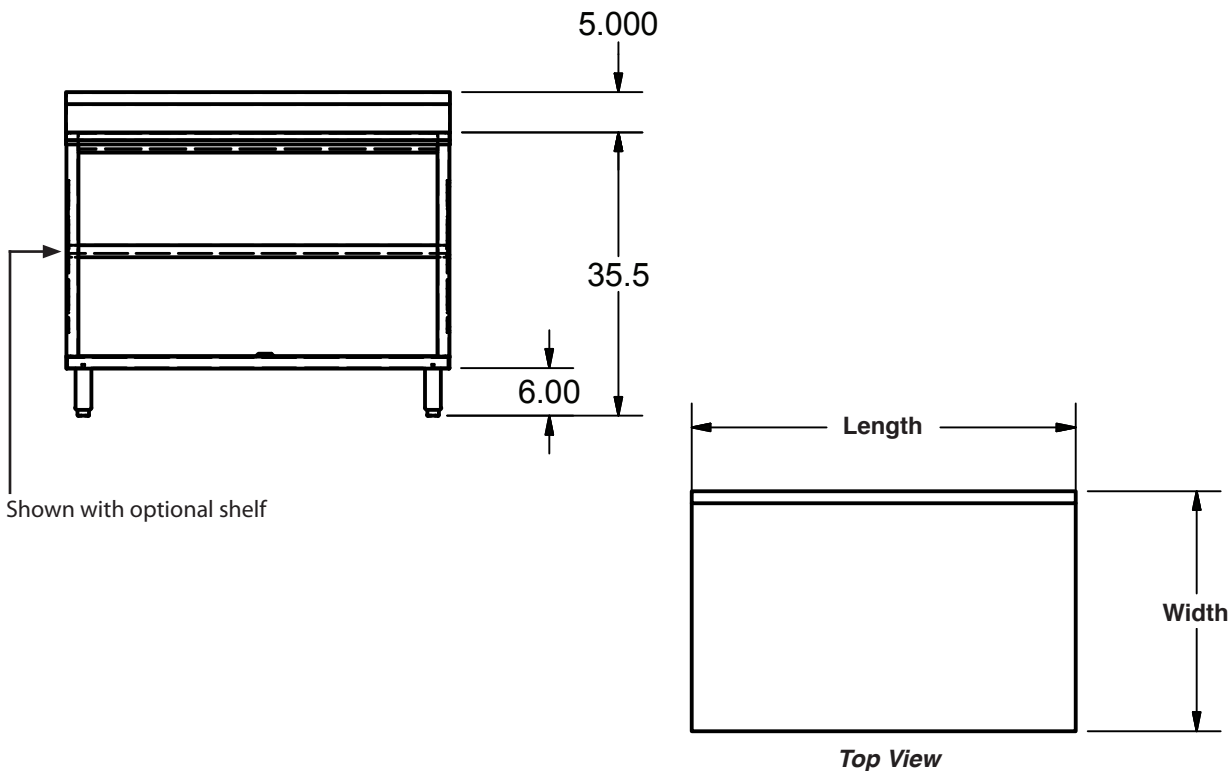
- T-304 14 ga. Stainless Steel Top
- T-304 18 ga. Stainless Steel Body
- Stainless Steel Legs & Feet

Options:

- Casters
- Shelf



Length	24" Width WITHOUT Sliding Doors	30" Width WITHOUT Sliding Doors
24"	BKDCR5-2424	-
30"	-	BKDCR5-3030
36"	BKDCR5-2436	BKDCR5-3036
48"	BKDCR5-2448	BKDCR5-3048
60"	BKDCR5-2460	BKDCR5-3060
72"	BKDCR5-2472	BKDCR5-3072
96"	-	BKDCR5-3096



PRODUCT DATA SHEET

BK RESOURCES

