



# Cabinet Base Work Tables

*Stainless Steel Cabinet Base Tables With 5" Riser  
With Sliding Doors*



Use your smart phone to scan the above QR code to visit our website:  
[www.bk-resources.com](http://www.bk-resources.com)

## Certifications:



## Features:

- 1 5/8" x 6" Straight S/S Leg
- Legs Adjust 1" in Height
- 5" Riser

## Material:

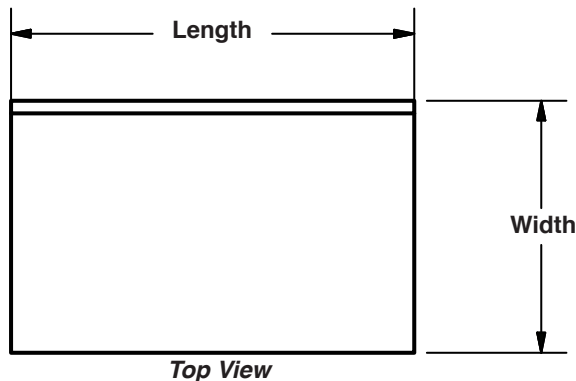
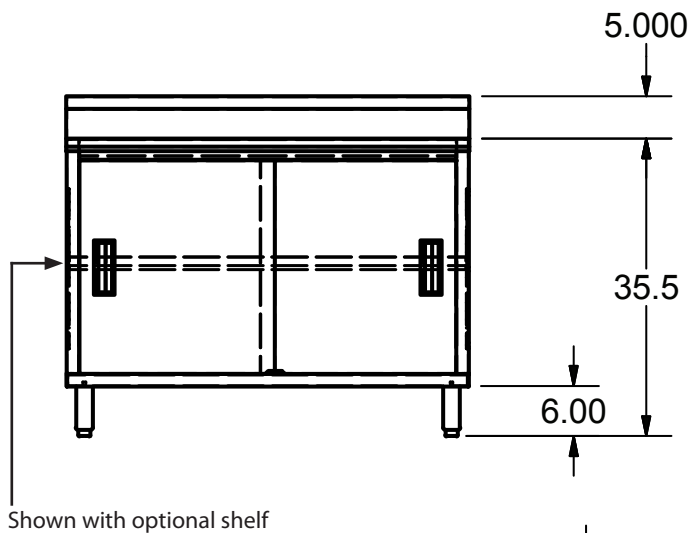
- T-304 14 ga. Stainless Steel Top
- T-304 18 ga. Stainless Steel Body
- Stainless Steel Legs & Feet

## Options:

- Casters
- Shelf

Length	24" Width with Sliding Doors
36"	BKDCR5-2436S
48"	BKDCR5-2448S
60"	BKDCR5-2460S
72"	BKDCR5-2472S
96"	-

30" Width with Sliding Doors
BKDCR5-3036S
BKDCR5-3048S
BKDCR5-3060S
BKDCR5-3072S
BKDCR5-3096S



PRODUCT DATA SHEET

BK RESOURCES

