



Item: _____

Quantity: _____

Project: _____

36" Electric Restaurant Range

36" Electric Restaurant Range

Models: RRE-6 RRE-4GT12 RRE-2GT24 RRE-GT36



Voltage: 208V 240V
Phase: 1 Phase 3 Phase

Options and Accessories

- 6" high S/S stub back in lieu of high shelf
- 1" thick griddle plate
- Griddle on right (Left hand side standard)
- Chrome griddle plate
- Grooved griddle (specify width: _____")
- 9" deep S/S front landing ledge, with or without sauce pan cutouts
- Additional oven racks
- Open storage cabinet base - add suffix "-XB"
- Cabinet doors
- Intermediate shelf
- 5" swivel casters (set of four - 2 locking)

Standard Features

- Stainless steel front, sides, control panel and kick plate including backguard and high shelf
- Stainless steel full width drip tray
- Oven - total 5 KW with low wattage "broiler" element
- Oven thermostat controls, 200°-500°F
- Five position heavy gauge chrome rack guides
- One chrome rack per oven
- Five surface porcelain oven interior
- 9" solid hot plate elements, 2KW each
- 3/4 thick polished steel griddle plate
- GT Griddle Series - standard with thermostat every 12"
- One year limited warranty, parts and labor



Intertek
3065360

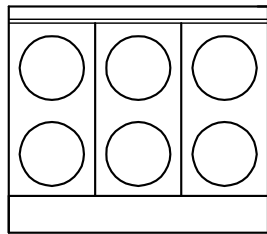
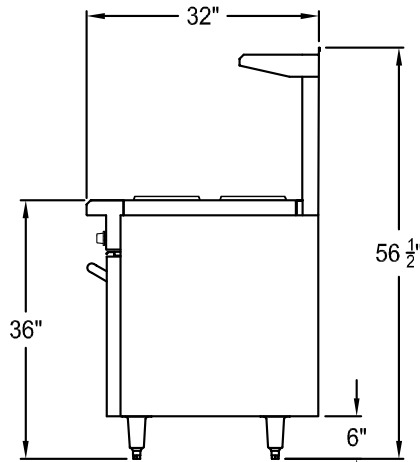
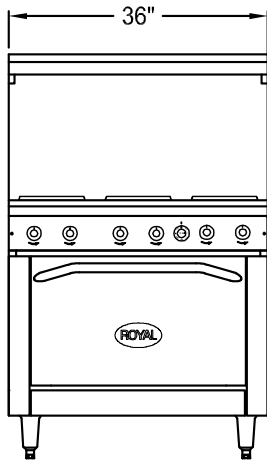


Intertek

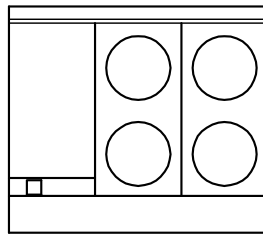
Royal Range of California, Inc.
3245 Corridor Dr. • Eastvale, CA 91752 • (800) 769-2414 • (951) 360-1600
Fax: (951) 360-7500 • www.royalranges.com • sales@royalranges.com



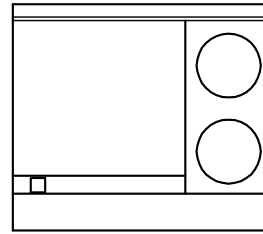
36" Electric Restaurant Range



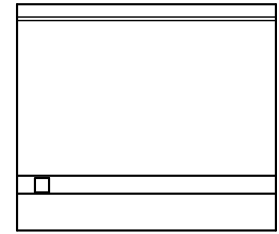
RRE-6



RRE-4GT12



RRE-2GT24



RRE-GT36

Model Number	Total KW	Voltage	A M P S				
			1 Phase		3 Phase		
			L1	L3	L1	L2	L3
RRE-6	17	208	82	82	48	52	48
		240	72	72	41	46	41
RRE-4GT12	16.4	208	79	79	46	46	46
		240	69	69	40	40	40
RRE-2GT24	15.8	208	76	76	44	44	44
		240	66	66	38	38	38
RRE-GT36	15.2	208	73	73	43	43	43
		240	64	64	37	37	37

To be installed only in noncombustible surroundings. See installation instructions.

Due to continuing product development to ensure best possible performance, these specifications are subject to change without prior notification.

Royal Range of California, Inc.
 3245 Corridor Dr. • Eastvale, CA 91752 • (800) 769-2414 • (951) 360-1600
 Fax: (951) 360-7500 • www.royalranges.com • sales@royalranges.com