

48" Curved Glass Deli Case



SD-48

Features

4 Casters (non-locking)

Also allows for easy moving during cleaning or maintenance.

2 Adjustable Glass Shelves

The glass shelves sit on adjustable mounting brackets to allow for height adjustments shelf by shelf to accommodate different sized products.

Interior Lighting

Lighting provides high visibility for customer's viewing.

Anti-Fog Glass Face

Fully insulated glass face helps with energy savings while providing clear visibility of products inside.

Stainless Steel Exterior

High quality 201 series stainless steel exterior provides both durability and beauty to the unit.

Digital Temperature Display

The LCD display allows for easy visual read out.

Models	Doors	#of Shelves	H/P	AMPS	Gross Weight	W D H
SD-48	2	2	3/8	6	455 lbs	47.25" x 33.5" x 47.25"

TECHNICAL DATA

Dimensions

Exterior Dimensions (WxDxH)	47.25" x 33.5" x 47.25"
Interior Dimensions (WxDxH)	43.5" x 27" x 22"
Cubic Feet	13.4 cu.ft.
Shelf Depths:	Shelf 1: 12" Shelf 2: 16" Shelf 3: 21"
Gross Weight	455 lbs
Packaging Dimensions (WxDxH)	51" x 36.25" x 51"

Construction

Exterior Material	201 series stainless steel
Interior Material	Glass
Insulation Material	Foamed in place polyurethane
Shelf Load Capacity	44 lbs

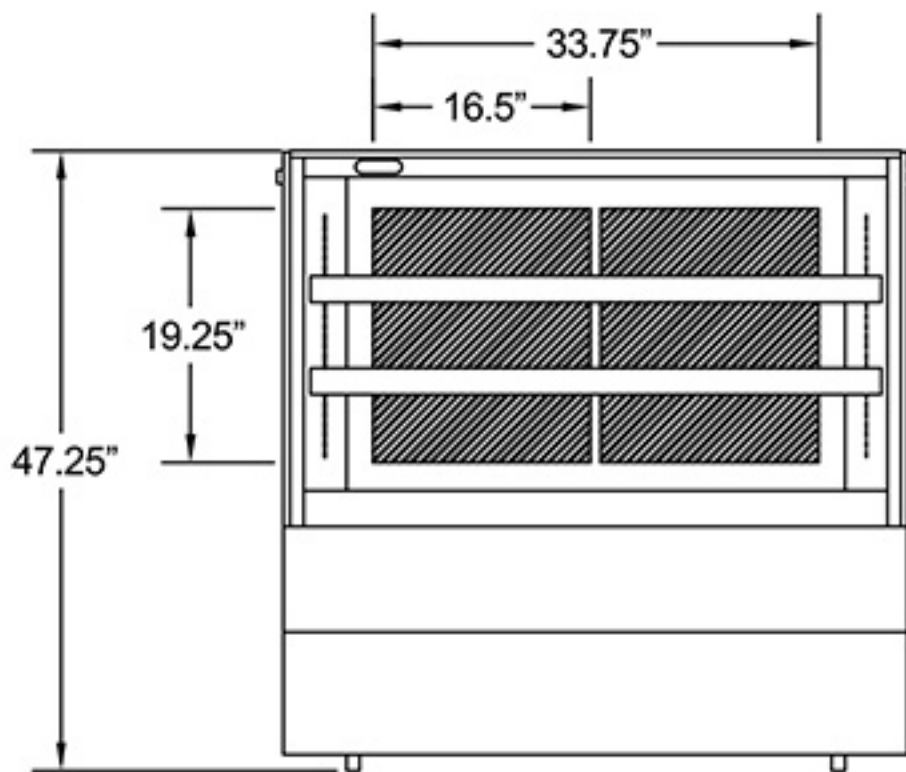
Cooling

Temperature Range	35° - 47° F
Refrigerant	R134a
Maximum Ambient Temperature Rating	100.4° F
Defrosting	Automatic
Temperature Display	Yes
Temperature Controller	Mechanical
H/P	3/8

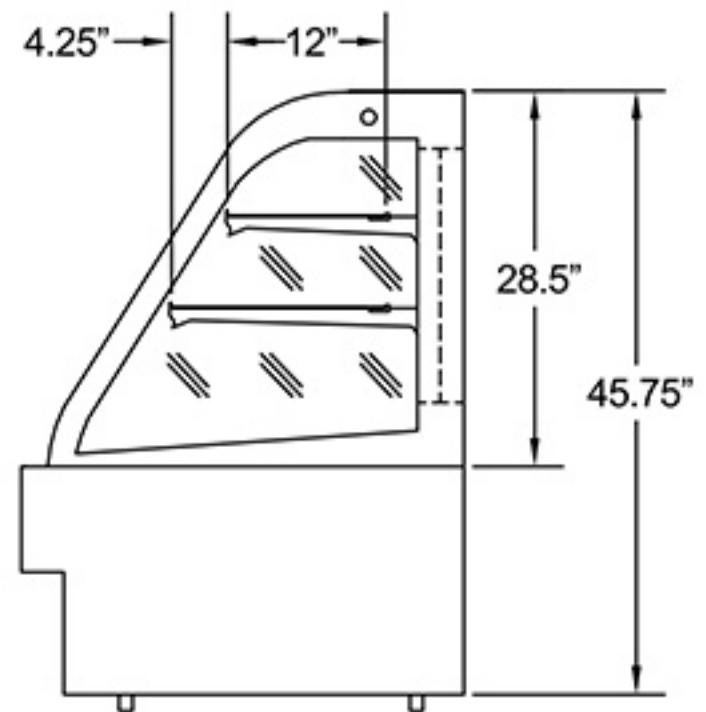
Electrical

Voltage	110
Amps	6
Hz	60
Phase	1

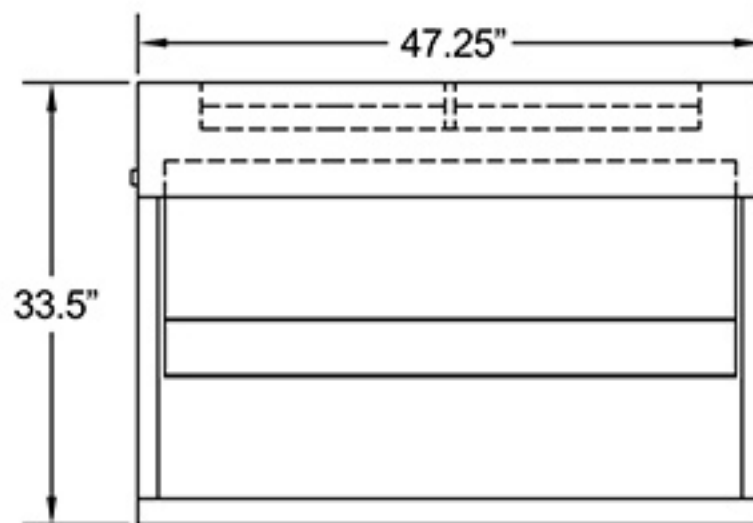
PLAN VIEW



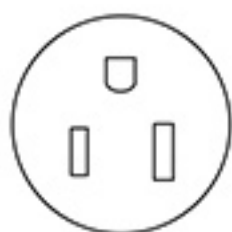
Front View



Side View



Top View



NEMA 5-15