

# 96" Curved Glass Deli Case



SD-96

## Features

### 4 Casters (non-locking)

Also allows for easy moving during cleaning or maintenance.

### 2 Adjustable Glass Shelves

The glass shelves sit on adjustable mounting brackets to allow for height adjustments shelf by shelf to accommodate different sized products.

### Interior Lighting

Lighting provides high visibility for customer's viewing.

### Anti-Fog Glass Face

Fully insulated glass face helps with energy savings while providing clear visibility of products inside.

### Stainless Steel Exterior

High quality 201 series stainless steel exterior provides both durability and beauty to the unit.

### Digital Temperature Display

The LCD display allows for easy visual read out.

Models	Doors	#of Shelves	H/P	AMPS	Gross Weight	W D H
SD-96	4	2	3/4	16.5	888 lbs	93" x 33.5" x 47.25"

# TECHNICAL DATA

## Dimensions

Exterior Dimensions (WxDxH)	93" x 33.5" x 47.25"
Interior Dimensions (WxDxH)	89.25" x 27" x 22"
Cubic Feet	27.6 cu.ft.
Shelf Depths:	Shelf 1: 12" Shelf 2: 16" Shelf 3: 21"
Gross Weight	888 lbs
Packaging Dimensions (WxDxH)	96.75" x 36.25" x 51"

## Cooling

Temperature Range	35° - 47° F
Refrigerant	R134a
Maximum Ambient Temperature Rating	100.4° F
Defrosting	Automatic
Temperature Display	Yes
Temperature Controller	Mechanical
H/P	3/4

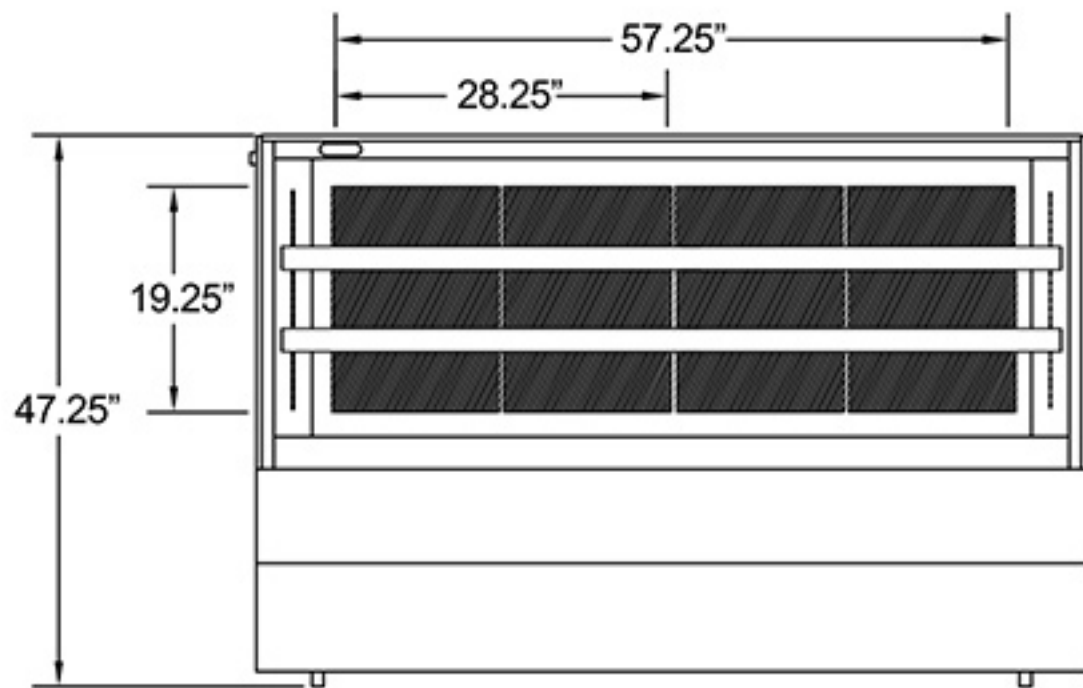
## Construction

Exterior Material	201 series stainless steel
Interior Material	Glass
Insulation Material	Foamed in place polyurethane
Shelf Load Capacity	44 lbs

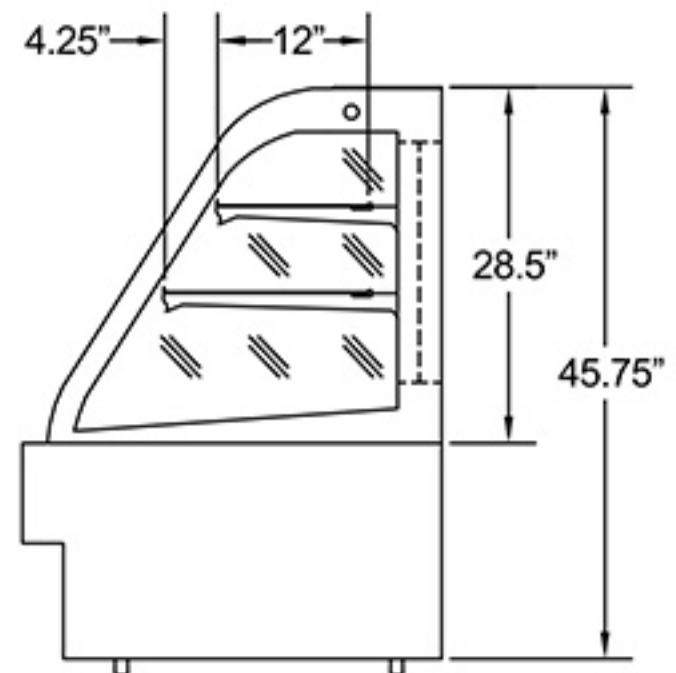
## Electrical

Voltage	110
Amps	16.5
Hz	60
Phase	1

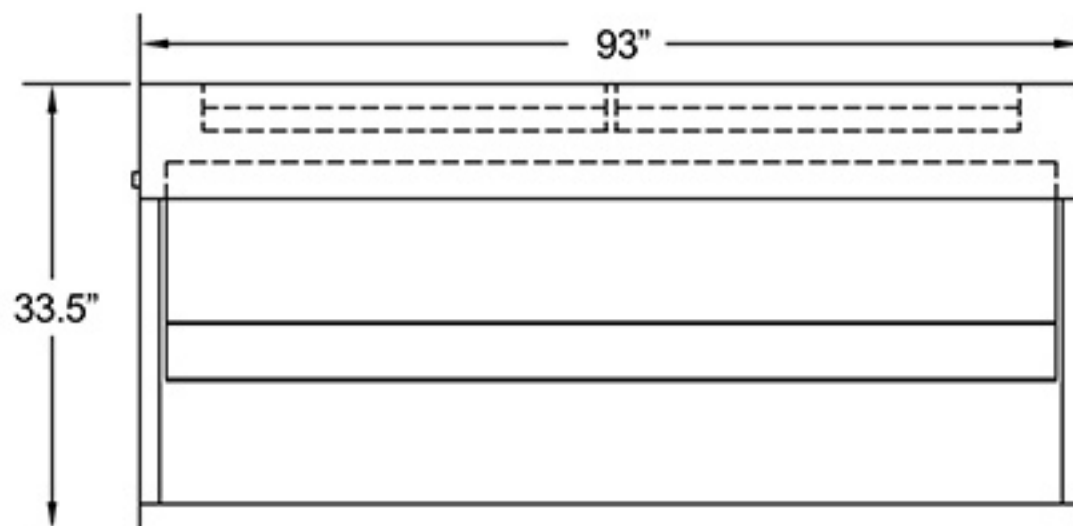
## PLAN VIEW



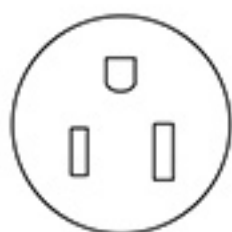
Front View



Side View



Top View



NEMA 5-15