

1 Door Sandwich / Salad Prep Refrigerator

Features



SST-27

Stainless Steel Interior and Exterior

High quality 430 stainless steel exterior and 304 stainless steel interior provide both durability and beauty to the unit.

Recessed Handle

Recessed along the entire door handle which provides strength and durability to the door to prevent damage/breakage during excessive opening.

3/4" Thick Cutting Board

One of the thickest and best cutting boards in the industry. Comes standard with unit.

Digital Temperature Controls

The LCD display allows for temperature control and easy visual read out.

* Does not include pans.

1 Adjustable Interior Shelf

The interior shelf sits on adjustable mounting brackets to allow for height adjustments to accommodate different sized products.

4 Casters

They include 2 front locking casters and come pre-installed for easy set up. Also allows for easy moving during cleaning or maintenance.

Self Closing Door(s)

Self closing door keeps energy costs down by not allowing as much cold air to escape the unit while opening. The door also has an auto stop feature that keeps door open when at 90 degrees to make for easier loading and unloading.

| Models | Doors | #of Shelves | H/P | AMPS | Gross Weight | W D H |
|--------|-------|-------------|-----|------|--------------|-----------------------|
| SST-27 | 1 | 1 | 1/4 | 3.8 | 255 lbs | 27.5" x 29.5" x 42.5" |

TECHNICAL DATA

Dimensions

| | |
|------------------------------------|-----------------------|
| Exterior Dimensions (WxDxH) | 27.5" x 29.5" x 42.5" |
| Interior Dimensions Top (WxDxH) | 24" x 14.5" x 8.75" |
| Interior Dimensions Bottom (WxDxH) | 24" x 19.5" x 24" |
| Cutting Board Dimensions (WxDxH) | 27.5" x 10.5" x .75" |
| Net Volume (cu. ft.) | 5.75 cu. ft. |
| Gross Weight | 255 lbs |
| Packaging Dimensions (WxDxH) | 32" x 34" x 46.5" |

Cooling

| | |
|------------------------------------|-------------|
| Temperature Range | 32° - 40° F |
| Refrigerant | R134a |
| Maximum Ambient Temperature Rating | 100.4° F |
| Defrosting | Automatic |
| Temperature Display | Yes |
| Temperature Controller | Digital |
| H/P | 1/4 |

Construction

| | |
|---------------------|------------------------------|
| Exterior Material | 430 series stainless steel |
| Interior Material | 304 series stainless steel |
| Insulation Material | Foamed in place polyurethane |
| Shelf Material | Plastic coated steel |
| Shelf Load Capacity | 90 lbs |

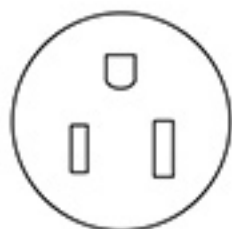
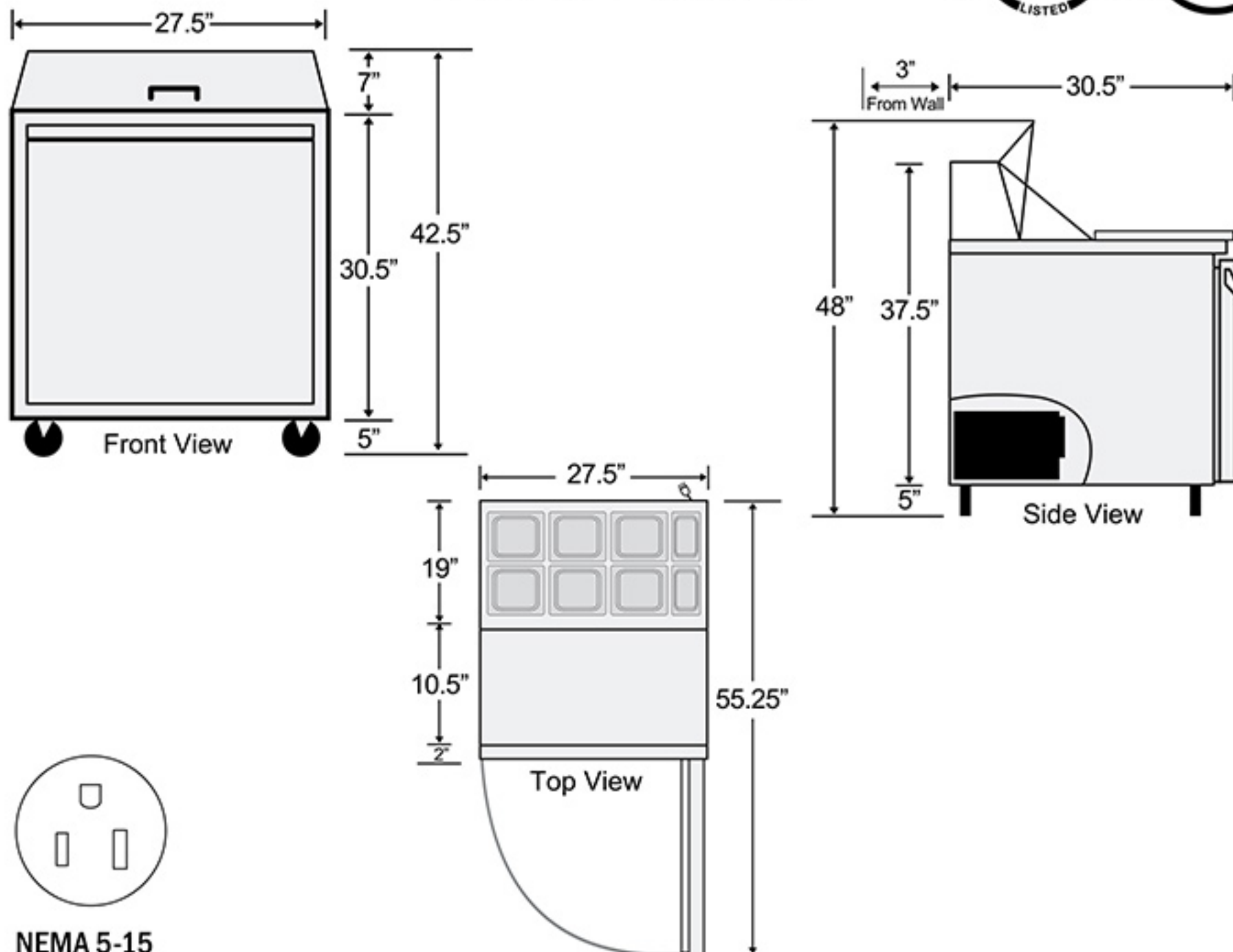
*Does not include pans

Electrical

| | |
|---------|-----|
| Voltage | 120 |
| Amps | 3.8 |
| Hz | 60 |
| Phase | 1 |



PLAN VIEW



NEMA 5-15