

2 Door Sandwich / Salad Prep Refrigerator

Features



SST-48

Stainless Steel Interior and Exterior

High quality 430 stainless steel exterior and 304 stainless steel interior provide both durability and beauty to the unit.

Recessed Handle

Recessed along the entire door handle which provides strength and durability to the door to prevent damage/breakage during excessive opening.

3/4" Thick Cutting Board

One of the thickest and best cutting boards in the industry. Comes standard with unit.

Digital Temperature Controls

The LCD display allows for temperature control and easy visual read out.

* Does not include pans.

2 Adjustable Interior Shelf

The interior shelf sits on adjustable mounting brackets to allow for height adjustments to accommodate different sized products.

4 Casters

They include 2 front locking casters and come pre-installed for easy set up. Also allows for easy moving during cleaning or maintenance.

Self Closing Door(s)

Self closing door keeps energy costs down by not allowing as much cold air to escape the unit while opening. The door also has an auto stop feature that keeps door open when at 90 degrees to make for easier loading and unloading.

Models	Doors	#of Shelves	H/P	AMPS	Gross Weight	W D H
SST-48	2	2	1/3	6.5	360 lbs	46.75" x 29.5" x 42.5"

TECHNICAL DATA

Dimensions

Exterior Dimensions (WxDxH)	46.75" x 29.5" x 42.5"
Interior Dimensions Top (WxDxH)	42.5" x 13.5" x 8.5"
Interior Dimensions Bottom (WxDxH)	42.75" x 19.5" x 24"
Cutting Board Dimensions (WxDxH)	46.5" x 10.5" x .75"
Net Volume (cu. ft.)	12 cu. ft.
Gross Weight	360 lbs
Packaging Dimensions (WxDxH)	51" x 34" x 46.5"
Electrical Cord Length	84"

Cooling

Temperature Range	32° - 40° F
Refrigerant	R134a
Maximum Ambient Temperature Rating	100.4° F
Defrosting	Automatic
Temperature Display	Yes
Temperature Controller	Digital
H/P	1/3

Construction

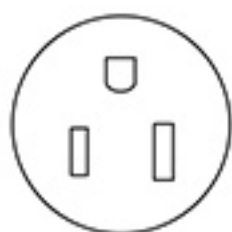
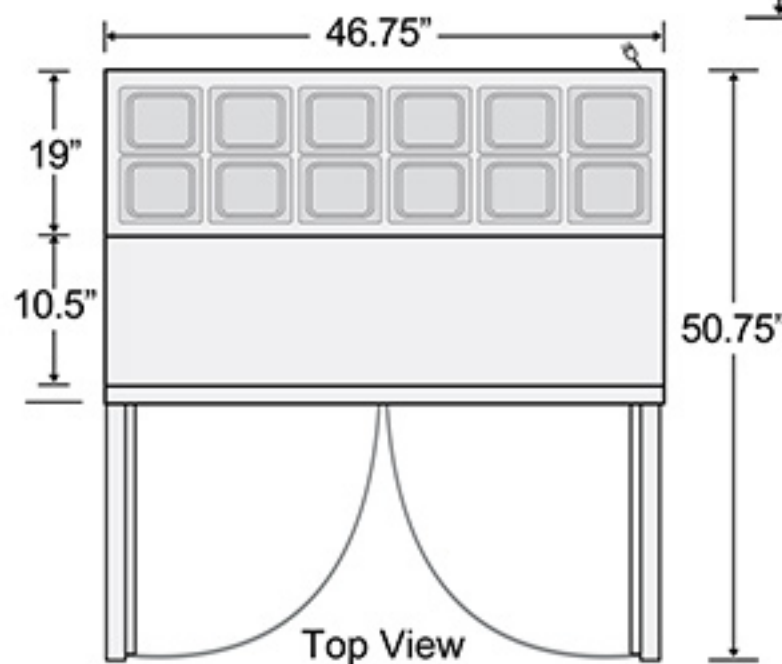
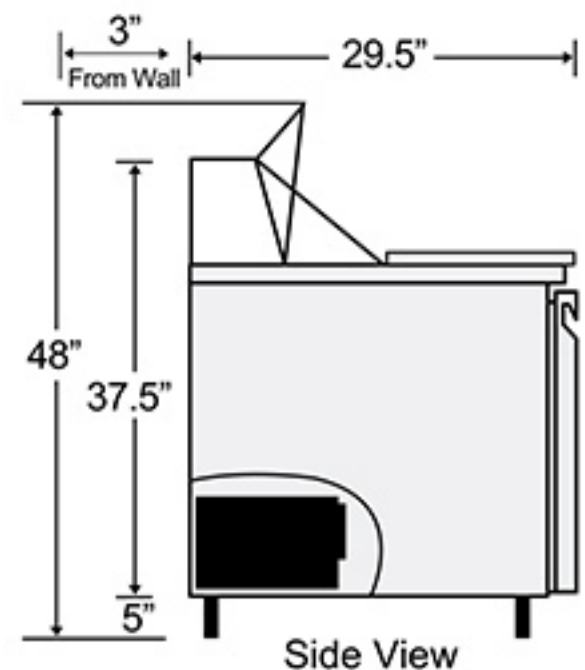
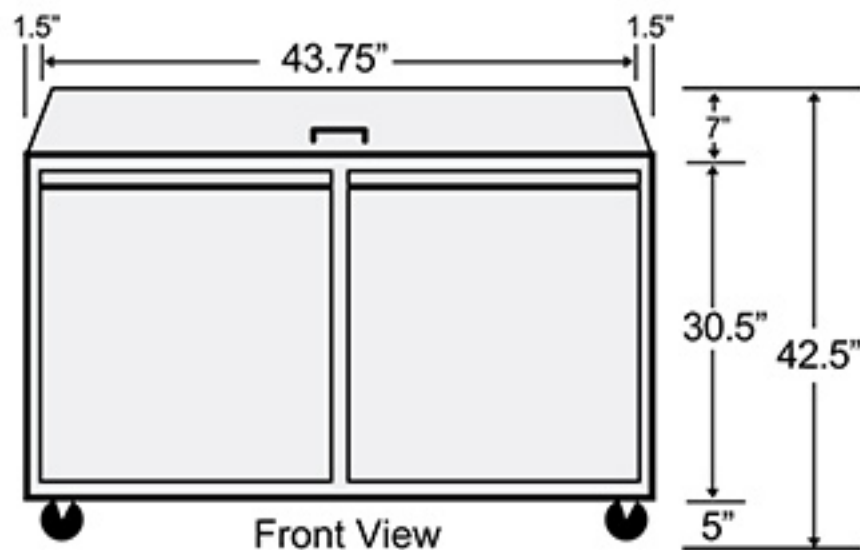
Exterior Material	430 series stainless steel
Interior Material	304 series stainless steel
Insulation Material	Foamed in place polyurethane
Shelf Material	Plastic coated steel
Shelf Load Capacity	90 lbs

*Does not include pans

Electrical

Voltage	120
Amps	6.5
Hz	60
Phase	1

PLAN VIEW



NEMA 5-15