



# 1 Reach-In Glass Door Freezer (Swing Door) ♦ NPGF1-SB



## Standard Feature

- ♦ Bottom Mounted Compressor
- ♦ Functional Accessory / Control Shelves
- ♦ Removable Door Gasket
- ♦ Insulating Anti-Fog Glass Door
- ♦ Accurate Temperature Control
- ♦ Interior LED lighting
- ♦ Heavy-duty caster wheels

## Technical Specifications

Product Classification	Freezer
Climate Class	N
Power	1104W
Number of Doors / Lids	1
External Cabinet Material	Coated Steel
Internal Cabinet Material	Aluminum Liner with Steel Floor
Type of Refrigeration Agent	R-404A
Type of Temperature Control	Digital
Temperature Range °C	-23°C to -18°C
Temperature Range °F	-10°F to 0°F
Voltage / Frequency	115V / 60Hz
Amp	9.6
Compressor HP	3/4+ HP
Type of Insulation	3.0-Inch Polyurethane Foam
Door Handle	Partial

## Certified Safety Standard

- ♦ ETL Listed
- ♦ ETL Sanitation Listed



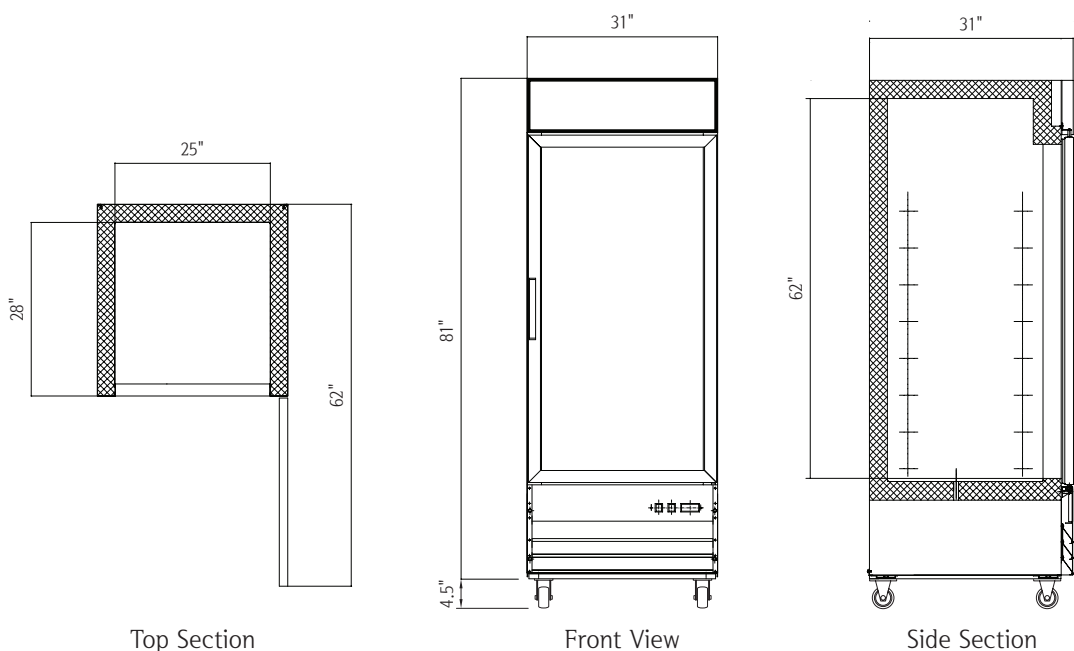
## Warranty Information

- ♦ 5 Years Compressor
- ♦ 3 Year Parts & Labor





# 1 Reach-In Glass Door Freezer (Swing Door) ♦ NPGF1-SB



Plug Type: (NEMA) 5-15P

## Capacity

Capacity 23 cu. ft.

## Dimensions

Internal Cabinet Width 25 in  
 Internal Cabinet Depth 28 in  
 Internal Cabinet Height 62 in  
 External Width 31 in  
 External Depth 31 in  
 External Height 85.5 in  
 Shipping Dimensions (W x D x H) 33 x 37 x 89 in

## Weight

Gross Weight 551 lbs.

## Accessories

Cycle Defrosting Yes  
 Frost Free Yes  
 Adjustable Shelves 4  
 Fixed Shelves No  
 Internal Light Yes  
 Internal Light Switch No  
 External Light Switch No  
 Self Closing Door/Lid Yes  
 Adjustable Thermostat Yes